

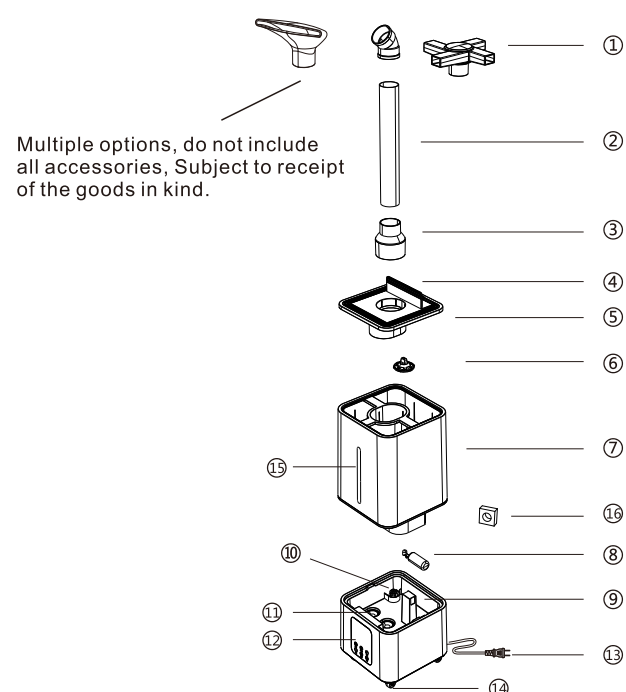
GENERAL TROUBLESHOOTING

DO NOT ATTEMPT TO REPAIR THE HUMIDIFIER BASE BY YOURSELF.		
Symptoms	Reason analysis	Solutions
Indicator light doesn't work	The plug is not connected properly	connect the plug correctly, turn on the power
	power board disconnects with connecting line.	Take off the base cover, and connect them correctly
	PCB is broken	replace it with a new PCB.
Indicator light in red color	lacking water	adding water
	the floating above the reed switch was blocked.	twist the floating.
	the protective shell of the floating ball hasn't been taken off.	take it off.
Indicator light in green color/no mist or mall mist	Has scale on the surface of the atomizer	clean the atomizer
	water is dirty or the water contains too much mineral substance	replace it with clear water.
leaking water from the gap between the water tank and base part.	the water is under low temperature	using the water under 15~45°C
	water tank was broken	replace it with a new water tank
	floating ball was broken	replace it with a new floating ball
leaking water from the bottom of the base part	dirty floating ball or piston	clean the floating ball and piston.
	the base part was broken	replace it with a new base part
	the screw which was used to fix the atomization board is not tight enough	replace it with a new atomization board
It has mist in base part, but couldn't run out.	fan was broken	replace it with a new fan
	air inlet was blocked.	take off the foam which is at the bottom of the base part.
Abnormal smell	fan was broken	replace it with a new fan
	the Strainer mesh has dust or water.	clean the Strainer mesh.
Abnormal sound	New machine	Open the water tank and lay it open in a steady and cool place for 12 hours.
	dirty water or water stored in the machine for a long time	clean the water tank and add clear water.
Abnormal sound	too much dust on the fan	replace it with a new fan

Technical Parameters:

Product Name	Humidifier
Model	HQ-JS150
Voltage	100V-240V~ 50Hz/60Hz
Power	100W
Evaporation	1500ml/h
Capacity	15L

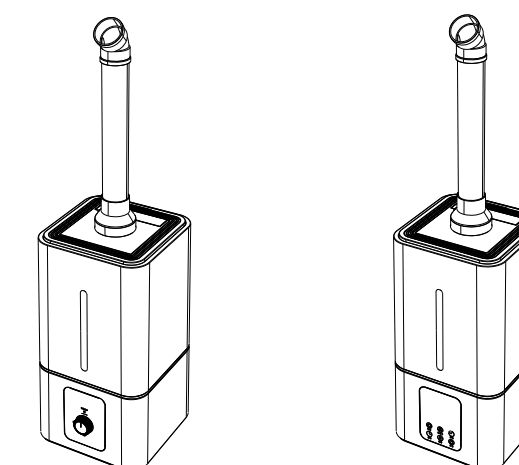
5



Multiple options, do not include all accessories, Subject to receipt of the goods in kind.

- 1, spout
- 2, mist pipe
- 3, Mist pipe joint
- 4, water tank turn cover
- 5, water tank cover
- 6, filter
- 7, water tank
- 8, floater
- 9, wind window
- 10, water level sensor
- 11, atomization sheet
- 12, display screen
- 13, Power cord
- 14, trundle
- 15, transparent water level window
- 16, Protective jacket for floater, Pls take off the protective jacket before using the machine, otherwise, the water couldn't run into the water channel.

6



ULTRASONIC HUMIDIFIER

MODEL:HQ-JS150

Daily maintenance

Keep the machine clear, pls pour away the water, clean the machine periodically, clean the limescale and the dust gauze frequently, keep it is dry, and store it in dry place.

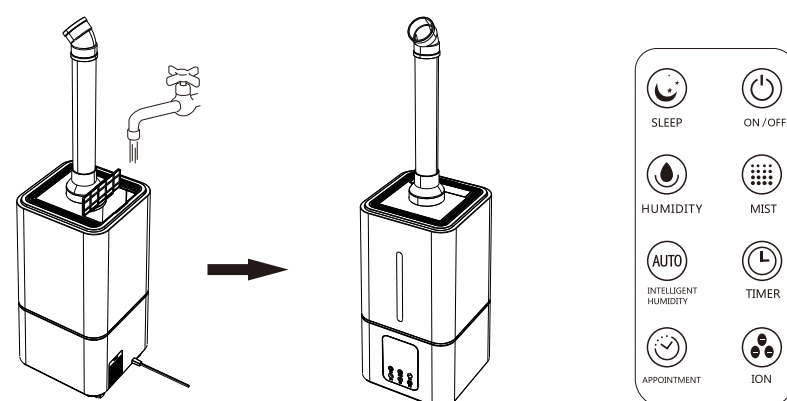
The way to clear the atomization sheet and base channel

Pull out the plug before cleaning the machine. Dilute the detergent and pour it into the base, adding 45°C water to dissolve detergent. Soak for 10 minutes and gently scrub the surface with small brush until scale is removed. Wash the base with 1:1 of water and white vinegar or citric acid. Then clean the base ad surface with water.

1

Product instructions:

1. Don't lay anything bellow the machine, it will effect the air intake.
2. Turn over the tank cover, add water, turn the tank cover back, inset the plug, touch the ON/OFF button, it will start to work.
3. Automatic shut off upon empty tank, when lacking water, the light will be red, and the machine will stop working, if want it working again, pls pull out the plug, and add water.
4. You can change the length of the PVC pipe as you want.



- A. Turn over the tank cover.
- B. Inset the plug, touch the ON/OFF button, start to work. Remote control

Electronic model:

1. ON/OFF, Plug in power cable. It is in standby mode and pop up white lights on the screen. Press the button and the standby mode is canceled. Humidifier start to work in high mode.

2

- 3 speeds mist button, touch this button 1 time, it will start to work in high mode, and all lights will turn on, touch the button again, it will be in low mode, and 12 lights will turn on, touch the button again, it will be in middle mode, and 20 lights will turn on.
- Timer button, touch this button, we can set time from 1 to 15 hours(if there are 2 or more figures on the display, the setting time will be the sum total).
- Humidity/Constant humidity button, set humidity between 45%-95%. user press this button until it reaches 95%. press one more time to cancel settings. Set a certain value and the humidifier will work automatically. when the humidity in the room is achieving this value, it will stop working until humidity getting lower. the constant humidity button in remote control is 70%RH acquiescently.
- Ion button, touch this button, the light will turn on, and the ion is in working mode, touch this button again, the light will turn off, and this function is canceled. Remark: the function of ion is cleaning the air, eliminate secondhand smoke, prevent electrostatic and so on.
- Appointment button, touch this button, the figures on the display will running, it is in appointment mode, we can set the time from 0 to 24 hours, once the user finished the setting, the temperature and setting time will display on the screen alternately, if we don't set time, it will only display the temperature on the screen.
- night mode. press this button 3 seconds, the machine will enter sleep mode. the light on the screen will turn off. other functions are working as normal.

Mechanical model :

1. Install the cover onto the water tank after filling water.
2. Plug in power cable, rotate the switcher clockwise.
3. The light will turn on, and adjust the mist level as you want.

3

SAFETY INSTRUCTIONS:

When using electrical appliances, basic precautions should always be followed to reduce the risk of fire, electric shock, injury to person.

1. Pls don't repair or adjust the product base by yourself.
2. Pls don't try to replace the power cord when it is broken by yourself, you can ask our service department to do it.
3. Pls don't add any kind of additive into the water tank which was not recommended by our self.
4. Please keep the humidifier away from the children.
5. Any change or refitting without our confirmation will be dangerous.
6. Please immediately turn off the humidifier and unplug the power when there is an abnormal sound or smell, pls contact with the service department if you want to repair it.
7. Unplug the humidifier when moving or cleaning it.
8. Unplug the humidifier when not in use.
9. Do not attempt to empty, fill, and tilt the humidifier while it is working.
10. Please don't touch the water or the units in the flume when it is in operation mode.
11. Please don't turn on the machine when there is no water.
12. please don't use the machine in high humidity atmosphere, such as shower room.
13. Please don't scrape or scratch the atomization sheet with hard particles.
14. Prevent water entering the inner of base part.
15. Please use the low mode when low temperature or high humidity in case the mist couldn't run out smoothly.
16. Please duly handle the scrapped machine, don't discard it optionally.
17. In order to save the service life of the machine and avoid accident, please lay it in dry condition.
18. Place the humidifier on a flat, smooth, level surface.
19. Far away from the fire, such as the stove, avoid direct sunlight.
20. Please use the machine at the normal environment temperature.
21. The mist direction should be aimed away from walls, electric appliances furniture.

4